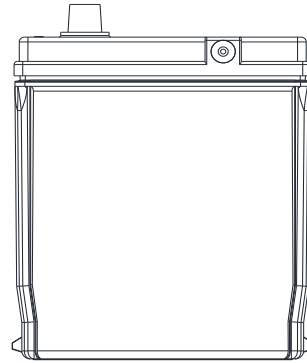
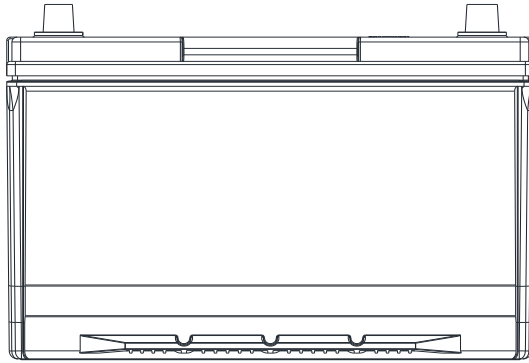
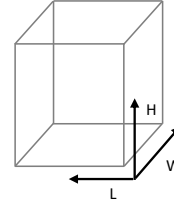
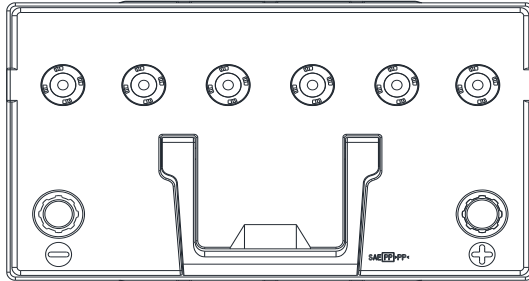


**TECHNICAL DATA SHEET**

Type No.: AGM 115D31L  
Created : 14.01.2026  
Modified : 14.01.2026



PERFORMANCE			CONTAINER		
VOLTAGE(V):	12	V	Group:	27	Light grey
RC(Mins):	175	Mins	Hold Down:	B1	
C20(AH):	90	AH	Please refer to the catalog or our website for the details of hold down types of the battery container.		
CCA(A):	750	SAE	COVER		
CCA(A):	-	EN	Type:	6-valved cap	Light grey
			Polarity:	R	
			Terminals:	STD	
			Vent ports:	2 vent ports (1 each side)	
WEIGHT AND STD. DIMENSION			HANDLES		
Battery weight:	24.0	kg	Handles:	1 Handle	
Length(mm):	302	mm	REMARK		
Width(mm):	174	mm			
Height(mm):	200	mm			
Total Height(mm):	220	mm			