

LITHIUM IRON PHOSPHATE BATTERY

ELECTRICAL SPECIFICATIONS

Nominal Voltage	51.2 V
Nominal Capacity	100 Ah
Capacity @ 0.2C	>290 min
Energy	5120 Wh
Resistance	≤70 mΩ @ 50% SOC
Efficiency	99%
Self Discharge	<5% per Month
Maximum Batteries Connected in Series	1
Maximum Batteries Connected in Parallel	16

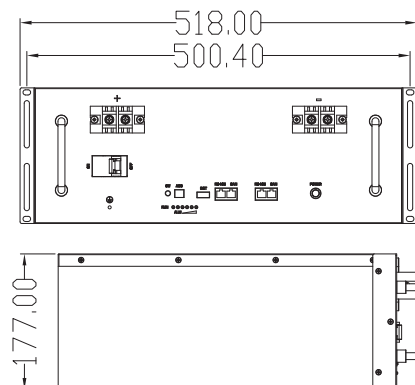
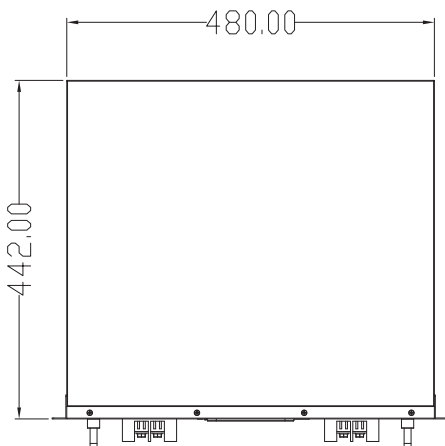
DISCHARGE SPECIFICATIONS

Maximum Continuous Discharge Current	100 A
Peak Discharge Current	200 A
Recommended Low Voltage Disconnect	44 V
BMS Discharge Voltage Cut-Off	40 V
Reconnect Voltage	48 V
Short Circuit Protection	Yes

TEMPERATURE SPECIFICATIONS

Discharge Temperature	-4 to 140 °F (-20 to 60 °C)
Charge Temperature	32 to 131 °F (0 to 55 °C)
Storage Temperature	-4 to 140 °F (-20 to 60 °C)
PCM High Temperature Cut-Off	176 °F (80 °C)

DIMENSIONAL SPECIFICATIONS



MECHANICAL SPECIFICATIONS

Dimensions (L x W x H)	442 x 480x177 mm (4U)
Weight	46 kg
Terminal Type	M8
Terminal Torque	80 - 100 in-lbs (9 - 11 N-m)
Case Material	Metal Case
Enclosure Protection	IP20
Chemistry	LiFePO ₄

CHARGE SPECIFICATIONS

Recommended Charge Current	5A~50 A
Maximum Charge Current	100 A
Recommended Charge Voltage	56.8 V - 58.4 V
BMS Charge Voltage Cut-Off	58.4 V
Reconnect Voltage	56.0 V
Active Balance Current:	3.4V per cell and 30mV cell gap

BATTERY FUNCTIONS

RS485 and CAN and 2 dry contacts	Yes
Active Cell balance	Yes
Bluetooth	Yes
LEDs Display	Alarm and Run and SOC