



**For motorhomes, caravans and boats with highest energy demands.**

The new Professional Li-Ion battery is designed to power electrical equipment for a home-like living experience. It's improved Depth of Discharge (DoD) delivers even more usable energy and consistent performance. The fast recharge allows it to be back to 100% within 2-3 hours. At the same time, the significantly reduced weight and size make it easy to handle and install. Inbuilt cell heating function and the high protection class guarantee that the Professional Li-Ion battery operates effectively and reliably even under demanding conditions. The special App ensures you stay informed via bluetooth on battery state of charge, overall health, cycles & usage, internal temperature, current and alarms for all BMS functions. VARTA batteries deliver precision performance and lasting reliability.

**VEHICLE KEY BENEFITS**



**20x cycle life**

20x cycle life compared with a conventional lead acid battery.



**Lightweight**

Twice the usable energy with 55%\* weight saving compared to advanced conventional lead acid batteries (\*H8/L5 with 100 Ah).



**Smart connect**

Smart connection options such as Bluetooth or CAN bus.



**Serial and parallel connection**

Capable for series and parallel connection.



**Protection class IP67 (50Ah - IP54)**

VARTA batteries come with high water and dust ingress protection ratings, ensuring durability and reliability even in harsh environments.



**Designed in Germany**

Precision design for outstanding performance and customer experience.



**Maintenance-free**

Maintenance-free battery designed to deliver dependable performance for your vehicle.

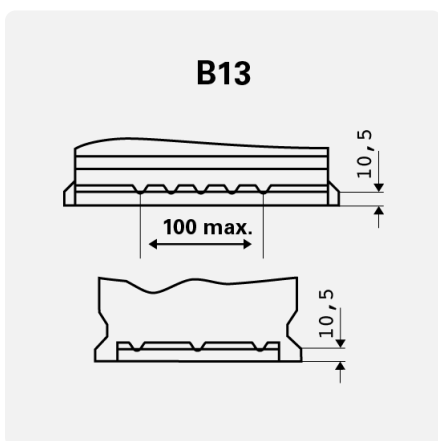
# PROFESSIONAL LI-ION

# 850100000K31A

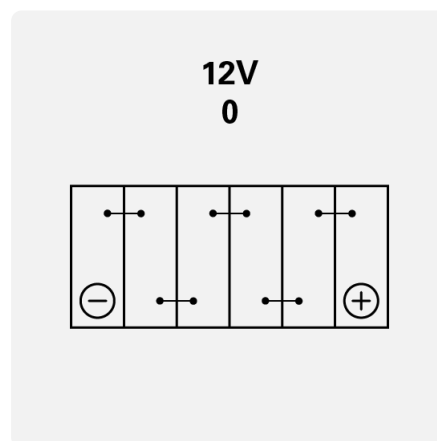
## TECHNICAL DATA

|                |               |                     |                    |
|----------------|---------------|---------------------|--------------------|
| Capacity:      | <b>100 Ah</b> | CCA:                | -                  |
| Voltage:       | <b>12,8 V</b> | Dimensions (L/W/H): | <b>278/175/190</b> |
| Case Size:     | <b>H6/L3</b>  | Short Code:         | <b>LL100</b>       |
| UK-Code:       | <b>096LIO</b> | ETN:                | <b>850100000</b>   |
| Weight filled: | <b>13 kg</b>  | Base Hold-down:     | <b>B13</b>         |
| Layout:        | <b>0</b>      | Terminal Type:      | <b>1</b>           |

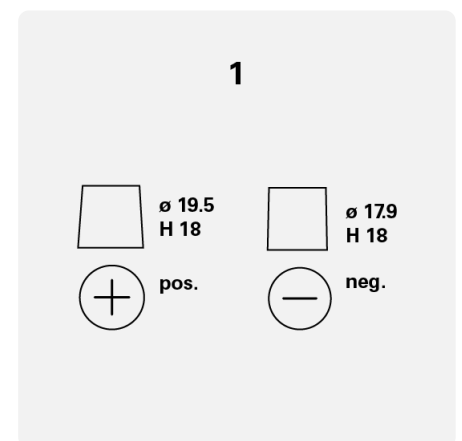
## DRAWINGS



Base Hold-down



Layout



Terminal Type